

## CaseUnit-Top Layer

The Traxeed CaseUnit-Top Layer is a manual workstation for aggregation, serialization and verification of cases in the pharmaceutical packaging process.

The CaseUnit-Top Layer combines ergonomic element handling, high end vision technology for identification, label printing and label verification. Configurable software features with an integrated label designer make the system compliant with track and trace regulations worldwide.



### FEATURES

#### Zebra ZT410 or ZT420 industrial label printer

- Print system: Thermotransfer
- Automatic peel with liner take-up spindle

#### Inspection system

- High resolution Traxeed vision system including camera station and LED lighting
- CMOS-Matrix-Camera
- Field of view: W = 600 mm, H = 400 mm
- Triggered by button or foot paddle

#### Verification system

- 1D/2D wireless handheld scanner

#### Height adjustment

- Work height adjustment from 475 mm to 825 mm by electrical spindle drive

#### Industrial PC

- B&R Industrial PC
- CPU Intel Core i7
- RAM 4 GB DDR3
- SSD 60 GB
- 18,5" Widescreen TFT Touch Screen

#### Installation requirements

- Voltage: 230 V, 50 Hz (L, N, PE)
- Power consumption: approx. 1.0 kW

#### Operating Conditions

- Temperature: 10°C – 40°C
- Humidity: 0% – 80% RH (non-condensing)

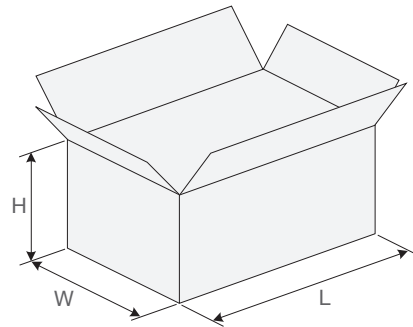
## SPECIFICATIONS

### Label printer specification

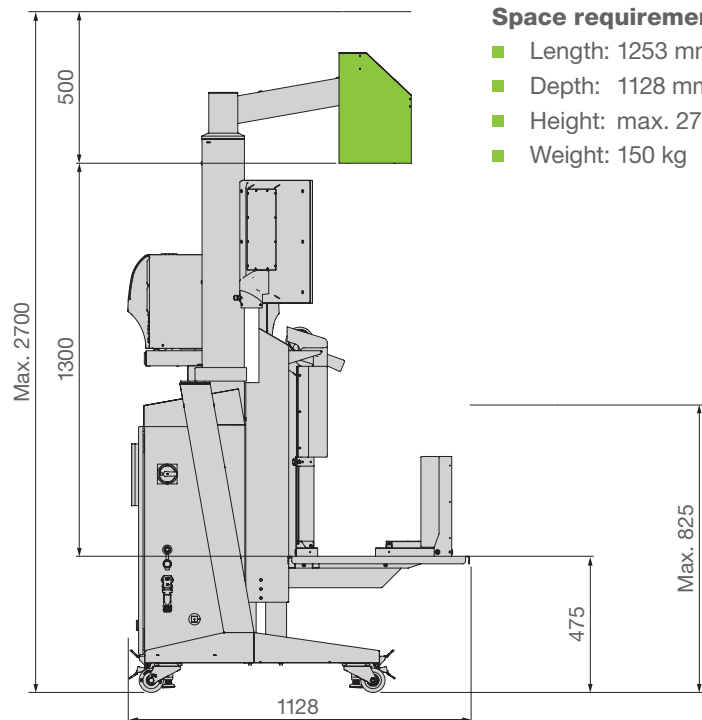
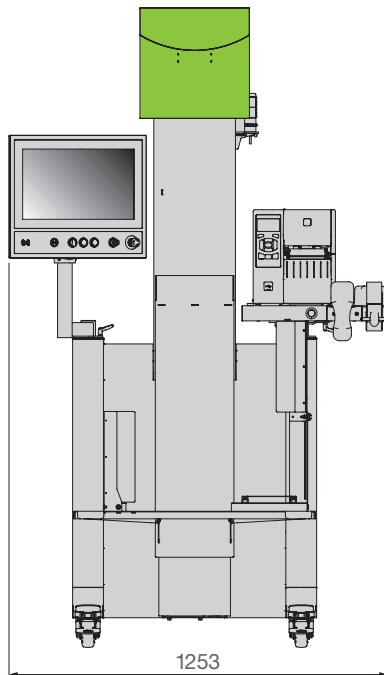
	ZT410	ZT420
Maximal print width	104 mm	168 mm
Minimal media web width	25.4 mm	51 mm
Maximal media web width	114 mm	171 mm
Maximal print length (300 dpi)	1854 mm	1143 mm

### Case dimensions

	max.
Width (W)	400 mm
Height (H)	400 mm
Length (L)	600 mm



## DIMENSIONS



### Space requirements:

- Length: 1253 mm
- Depth: 1128 mm
- Height: max. 2700 mm
- Weight: 150 kg